

Pianura

SMALL TABLES

2019

Antonio Citterio

CONTEXT

ENQUIRIES
info@contextgallery.com
Tel. 404.477.3301
Tel. 800.886.0867
contextgallery.com



Description

Square or rectangular, the Pianura low table stands out for the essential and sophisticated features that give life to a proposal of great formal elegance. With wooden or marble top and aluminium structure, it is also available with a thick leather tray integrated into the top. Numerous are the finishes to choose from both for the top and for the structure.

Technical information

Top

marble or veneered multi-layered wood panel

Tray (PN180_2V-PN130Q_V)

aluminium sheet covered in thick leather

Support frame

die-cast aluminium and extrusions

Ferrules

plastic material

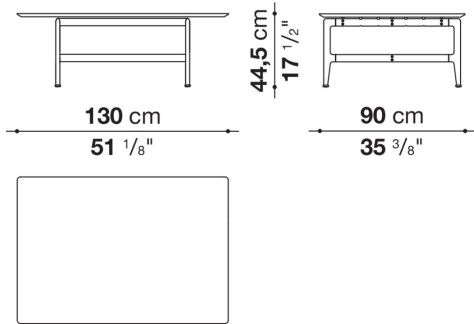
CONTEXT

ENQUIRIES
info@contextgallery.com

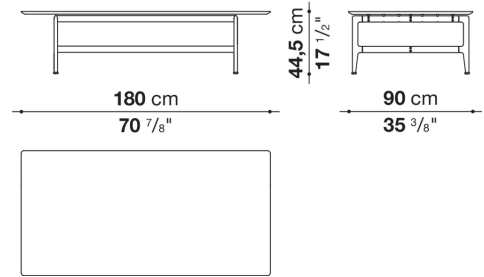
Tel. 404. 477. 3301
Tel. 800. 886.0867

Technical drawings

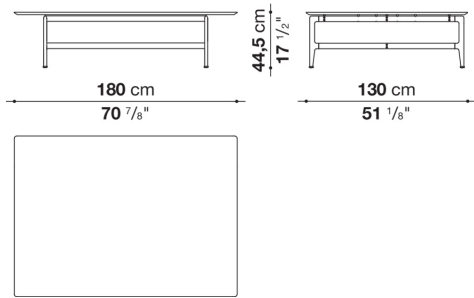
PN130



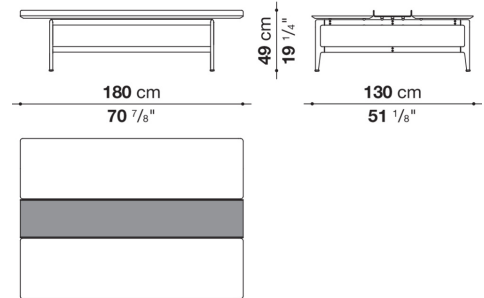
PN180_1



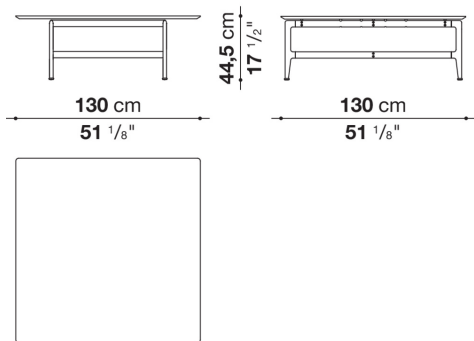
PN180_2



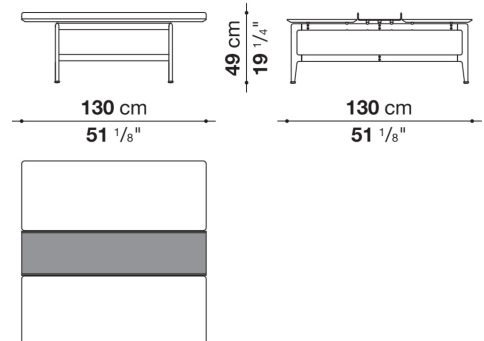
PN180_2V



PN130Q



PN130Q_V



CONTEXT

CONTEXT

ENQUIRIES
info@contextgallery.com

Tel. 404. 477. 3301
Tel. 800. 886.0867