

# Pochette

ARMCHAIRS

2022

Piero Lissoni

## CONTEXT

ENQUIRIES  
info@contextgallery.com  
Tel. 404. 477. 3301  
Tel. 800. 886.0867  
contextgallery.com



## Description

Pochette is a generously shaped armchair that is as unusual as it is inviting. Designed by Piero Lissoni, it takes its name from a small, high-quality object, a soft and graceful bag, to be touched and held close to the body on the most important occasions. Such a fusion of care and lightness is found in the equilibrium of Pochette, where steel and leather combine to give form and substance to a seat that offers relaxation without neglecting style. A painted steel tube, left exposed in the back, defines the shape and creates support, amid straight lines and sinuous curves that wrap around the upholstery. The tubular frame features leather upholstery made with a technique inspired by that used for luxury car steering wheels. It is a slow and careful technique, capable of hiding the seams and revealing sophisticated piping that serves as a refined decorative pattern. Expertise in leather workmanship is found in every detail of Pochette, including the two back cushions, elements that have no fixed position but, like a handkerchief placed with studied nonchalance in a jacket pocket, can be arranged as desired to accommodate your preferred posture. While the tubular frame is upholstered in leather, the cushions can be in leather or fabric, with the aim of creating an understated ensemble in each case. A synthesis of class and savoir-faire, Pochette is presented as a versatile armchair that is ideal for reading, but also for conversation, in the living room or sleeping area, for private spaces and public settings.

# Technical information

---

**Frame**

painted tubular steel with leather cover

**Back upholstery**

polyester fibre

**Seat upholstery**

flexible cold shaped polyurethane foam, shaped polyurethane, polyester fibre

**Feet**

stainless steel

**Ferrules**

plastic material

**Cover**

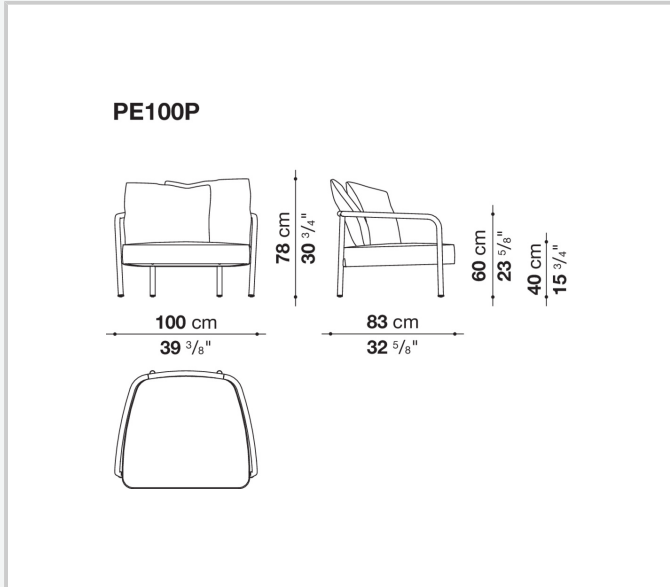
fabric or leather

## CONTEXT

ENQUIRIES  
[info@contextgallery.com](mailto:info@contextgallery.com)

Tel. 404. 477. 3301  
Tel. 800. 886.0867

# Technical drawings



## CONTEXT

ENQUIRIES  
info@contextgallery.com

Tel. 404. 477. 3301  
Tel. 800. 886.0867