

# Chair

Design: Hans J. Wegner, 1987

pp68 | pp58

ENQUIRIES  
info@contextgallery.com  
Tel. 404. 477. 3301  
Tel. 800. 886.0867  
contextgallery.com



## Based on a life's experience

ENQUIRIES  
info@contextgallery.com  
Tel. 404. 477. 3301  
Tel. 800. 886.0867  
contextgallery.com

What is left to do after a long glorious career having designed a long line of masterpieces acknowledged by the whole world and a number of significant awards already achieved?

For Hans J. Wegner the answer was obvious. In 1987 aged 73 he designed the **pp68** | **pp58** as his final round back arm chair. A genuinely comfortable, practical, ergonomic, strong, durable and affordable chair. Benefitting from a lifetime of furniture design, he was determined to let this particular design be guided by all he had learnt from his previous experience.

Comprising of solid wood joined with tenons, each joint, proved by testing, to withstand one ton of pulling strength. The chair is designed to be comfortable in alternate seating positions, making it a delightful experience to be seated for hours.

At an affordable price, it will outlast everyday use throughout your life – and your children's and your grandchildren's, effectively constituting the essence of sustainability – not just in terms of ecology, but also in terms of economics.

It is a strong, final contribution from one of the world's greatest furniture designers. The simple conclusion to an incredible life's work.







Wegner in the workshop explaining to Einar the three main considerations in his work in defining the **pp68** | **pp58** which concluded the line of round back arm chairs:

- The chair provides the correct support for the elbows and the back.
- It has plenty of space below the back rest, to leave plenty of space for the behind.
- One can be seated in alternate positions and still be comfortable.

## CONTEXT

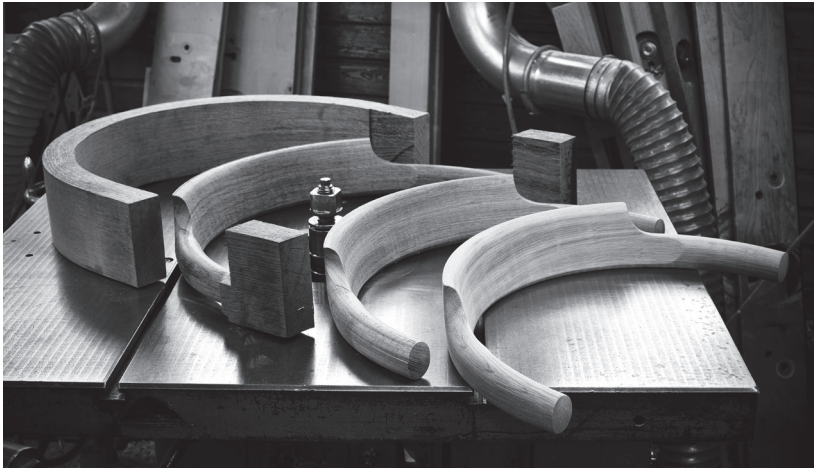
ENQUIRIES  
info@contextgallery.com  
Tel. 404. 477. 3301  
Tel. 800. 886.0867  
contextgallery.com





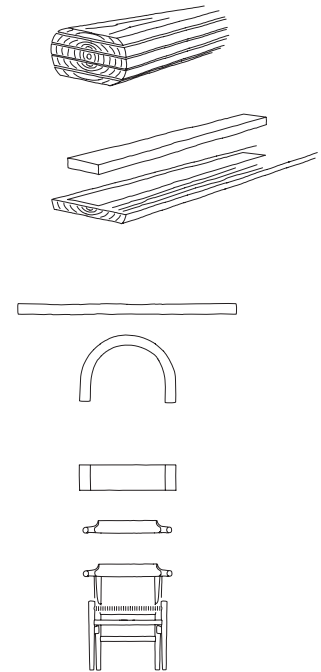
## Steam bent wood

ENQUIRIES  
[info@contextgallery.com](mailto:info@contextgallery.com)  
 Tel. 404.477.3301  
 Tel. 800.886.0867  
[contextgallery.com](http://contextgallery.com)



The most common and easiest way to design a more production friendly wooden chair with excellent back support is to steam bend a single length of solid wood cut from 80-100 year old trees. The semi-conditioned wood is steamed for some hours before it is bent with immense force. The final conditioning after bending takes about 3-4 months.

As each tree is unique, depending on the cut of the plank and the nature of the wood grain, so is each armrest. Finished armrests can appear calm or lively and when producing a set of chairs they are selected for the best possible match.





## Joining decides longevity

The joints are decisive to the longevity of a product and it is important to undertake extensive preparation in order to reach the most ideal conditions to join two pieces of wood.

The basic joint of the PP Møbler joinery is the tenon, often cut out of the part that it's going to connect. Tenons are very strong because they have a high connecting surface along the direction of the wood grain. We have tested a large number of sample joints at a laboratory and found that a joint like the ones illustrated can withstand about one ton of pulling strength.

### CONTEXT

ENQUIRIES  
[info@contextgallery.com](mailto:info@contextgallery.com)

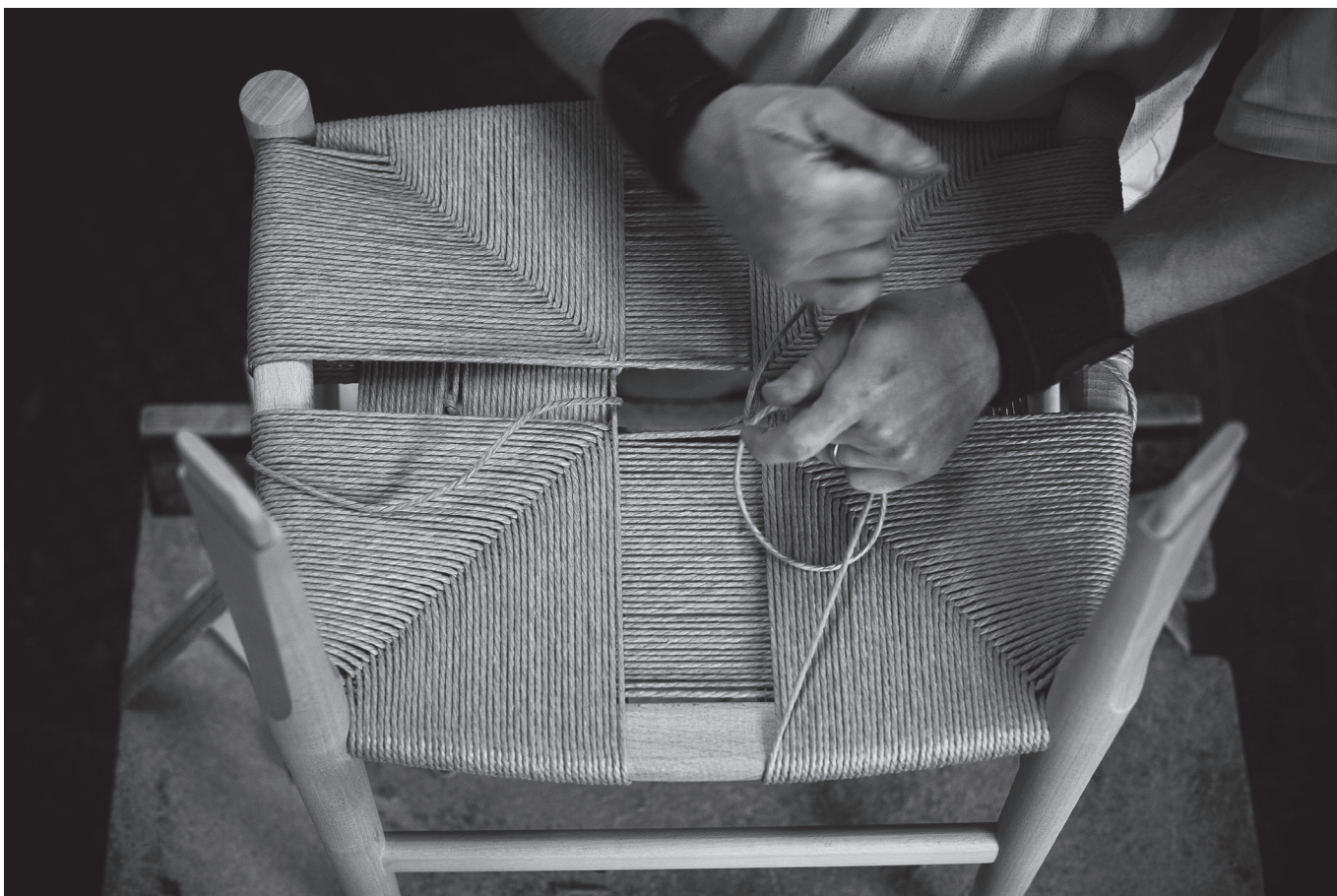
Tel. 404. 477. 3301  
Tel. 800. 886.0867

[contextgallery.com](http://contextgallery.com)



# CONTEXT

ENQUIRIES  
info@contextgallery.com  
Tel. 404. 477. 3301  
Tel. 800. 886.0867  
contextgallery.com

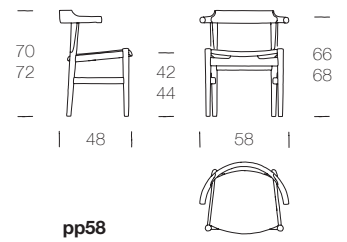
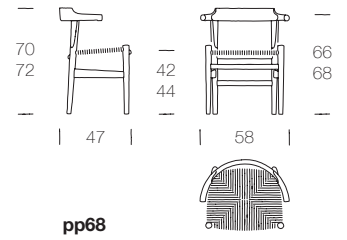


# Chair

Design: Hans J. Wegner, 1987

## pp68 | pp58

ENQUIRIES  
 info@contextgallery.com  
 Tel. 404-477-3301  
 Tel. 800-886-0867  
 contextgallery.com



**pp68 | pp58** is optimised to be practical. The short armrests makes it easy to enter and move around the chair. It fits well underneath the table and can also hang from the table top to make cleaning easier. The all solid wood tenon joints have been tested to withstand one ton of pulling strength. The combined arm and backrest is made of one piece of solid steam bent wood.

**pp58** comes with an upholstered seat in either fabric or leather.

**pp68** has a papercord seat available in either natural colour or black. Papercord is basically woven paper and has an incredible tensile strength and durability. Weaving seats takes a lot of experience, the symmetry of the final result depends on an even pull each time the cord is tightened.



pp møbler

Vestvej 45  
3450 Allerød  
Denmark

info@pp.dk  
www.pp.dk

ENQUIRIES  
info@contextgallery.com

Tel. 404. 477. 3301  
Tel. 800. 886.0867

contextgallery.com

