

Table

Design: Hans J. Wegner, 1975

ENQUIRIES
info@contextgallery.com

Tel. 404. 477. 3301
Tel. 800. 886.0867

contextgallery.com



Basic round table

Wegner designed **pp70** for PP Møbler in 1975 because he thought that many of his chairs lacked a suitable table of high quality. The idea behind this table was to create a simple and genuine, circular dining table that would honour the uncompromising philosophy of woodwork as practiced by PP Møbler.

The **pp70** table is a strong testament to Wegner's enthusiastic process of gradually building up a product line for PP Møbler featuring only the very best of his works. In this context, the **pp70** constitutes the basic round table, and it makes a great set with just about any chair from PP Møbler's collection. The most obvious match is the **pp62** | **pp52**, **pp66** | **pp56**, **pp68** | **pp58** or **pp201** | **pp203**.



Table

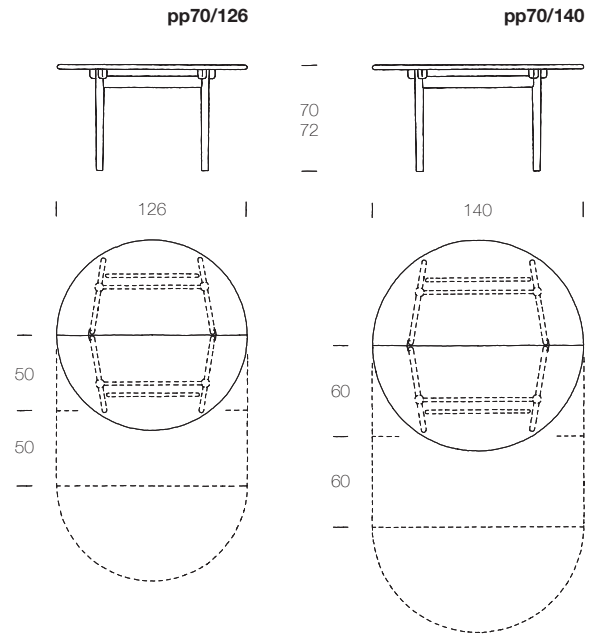
pp70

Design: Hans J. Wegner, 1975

pp70 is available in two standard sizes: 126 and 140 cm. Above illustrations show the standard extension length of each version. Customisation and supporting legs for extra long extensions are optional.

We always fit the leaves individually to each table, so any extra leaves must be ordered with the table. Solid wood leaves and main tabletops are always made of wood from the same tree.

The leaves for pp70 comes in solid or veneered. Please note that a veneered leaf will never match the grain and colour nuance of the solid wood table top.



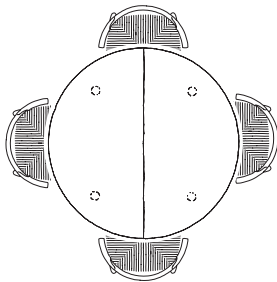
pp70
- with solid leaf



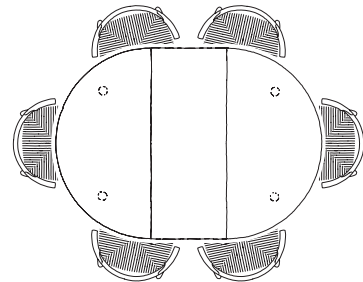
pp70
- with veneered leaf

pp70/126

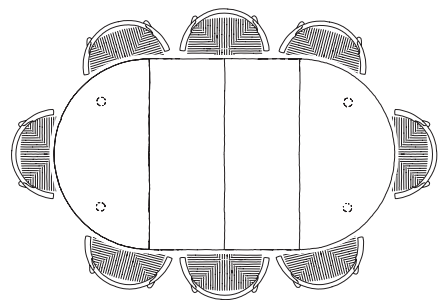
pp70/126
+ 4 pcs. pp68



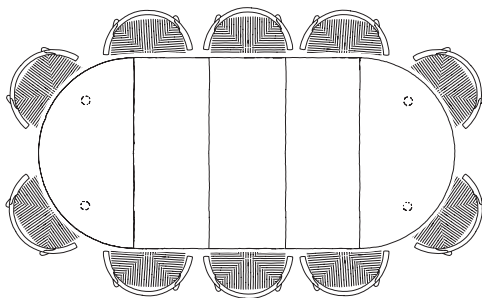
pp70/126
- with one leaf
+ 6 pcs. pp68



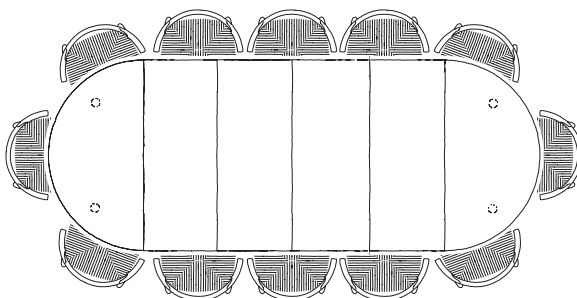
pp70/126
- with two leaves
+ 8 pcs. pp68



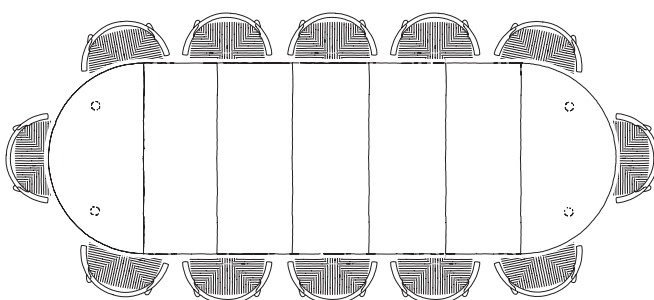
pp70/126
- with three leaves
+ 10 pcs. pp68



pp70/126
- with four leaves
+ 12 pcs. pp68



pp70/126
- with five leaves
+ 14 pcs. pp68

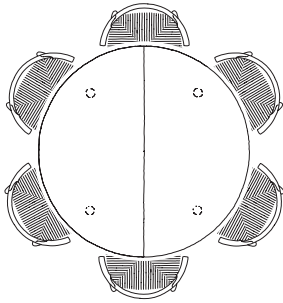


Table

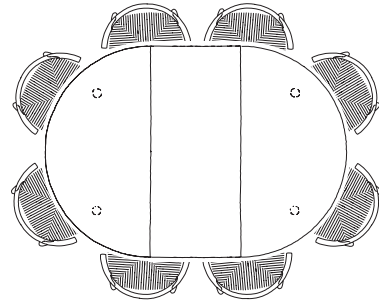
pp70/140

Design: Hans J. Wegner, 1975

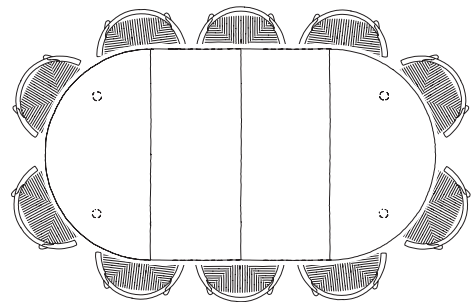
pp70/140
+ 6 pcs. pp68



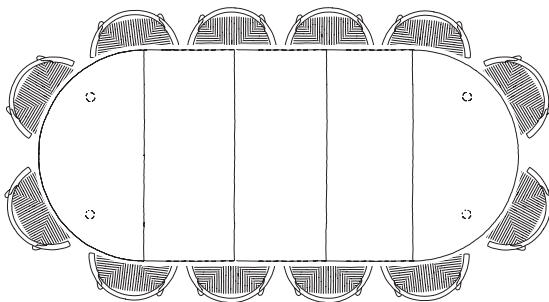
pp70/140
- with one leaf
+ 8 pcs. pp68



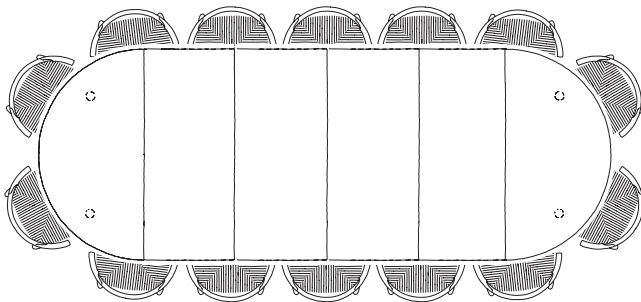
pp70/140
- with two leaves
+ 10 pcs. pp68



pp70/140
- with three leaves
+ 12 pcs. pp68



pp70/140
- with four leaves
+ 14 pcs. pp68

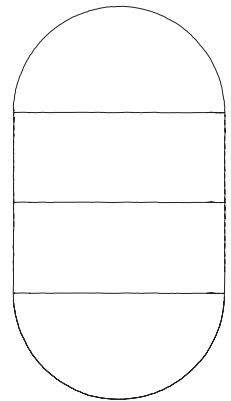
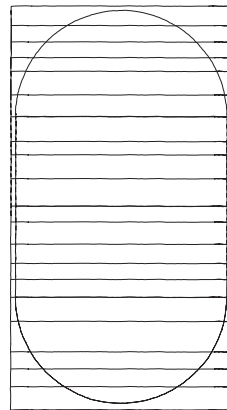
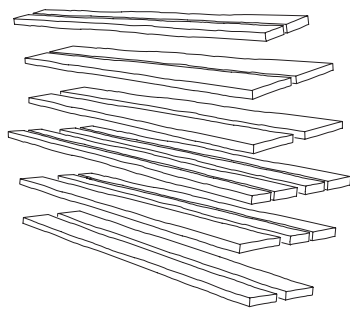
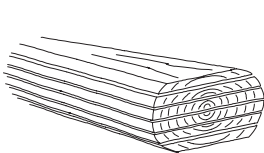


Composing a table top

Every solid wood table from PP Møbler is made using the wood from a single tree. Each tree is cut, dried, machined into planks and then separated from the others. Planks are then cut into sections as wide as possible in order to minimise the number of joints and glue used in a finished tabletop.

This policy of only using the wood from a single tree to make the top is the best way to ensure a balanced hue across the surface and express the beauty of the wood so it gains an even patina over time. This attention to detail is important and adds to the future value of the table.

Because we select the individual pieces of wood that will make each tabletop we face a number of natural and inevitable conditions with which we are obliged to work. Normally we can produce between 1-4 tables per tree depending on its size and the dimensions of the table we are making.



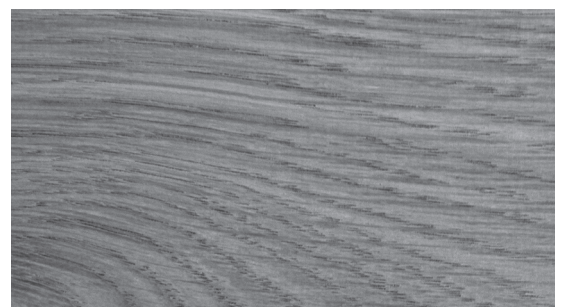
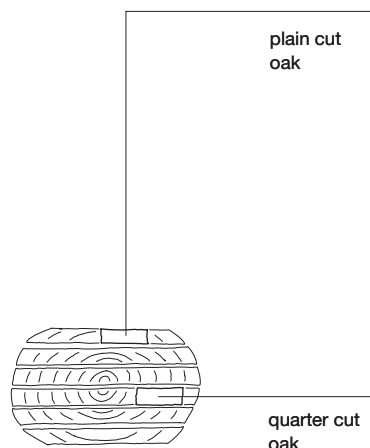


The composition of each tabletop is always thoughtfully considered and planned in detail. Every section is carefully evaluated from what a tree offers and they are glued together in the exact order selected by the individual craftsman for a particular top.

The same procedure applies to split tabletops including any solid leaves. For this reason it is important when ordering for example, a **pp70/140** with two solid wood leaves, that all of the wood for the top and the leaves are cut from the same tree. Finding the right tree for such a table is a considerable challenge.

The planks cut near the centre of the log are described as quarter cut and the planks cut away from the centre are known as being plain cut. Most wood types have medullary rays through which nutrients circulate that are a natural part of the trees biology.

Particularly in oak, the medullary rays are visible in the quarter cut planks and this is part of the strong character of the species. Any tabletop made of oak is likely to have visible medullary rays.



pp møbler

Vestvej 45
3450 Allerød
Denmark

info@pp.dk
www.pp.dk

