

Pushpam

SMALL TABLES

2018

Naoto Fukasawa

CONTEXT

ENQUIRIES

info@contextgallery.com

Tel. 404. 477. 3301

Tel. 800. 886.0867

contextgallery.com



Description

Pushpam is a collection of small tables that stand out for their perfect formal balance and for the striking texture of their cement finish, available in two colours.

Technical information

Top and base-frame

cement (Ultra High Performance Concrete)

Coupling plate

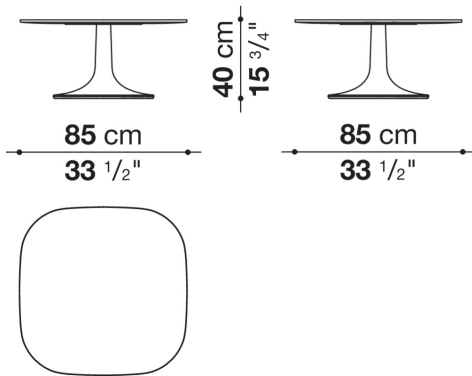
galvanized sheet

Ferrules

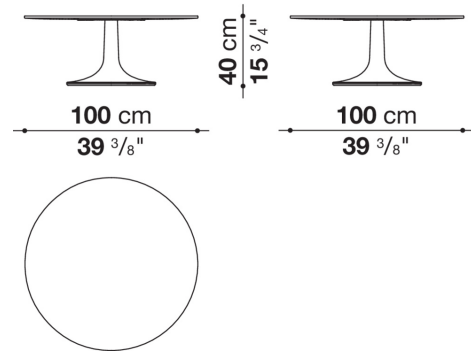
thermoplastic material

Technical drawings

TF85B



TF100RB



CONTEXT

ENQUIRIES
info@contextgallery.com

Tel. 404. 477. 3301
Tel. 800. 886.0867