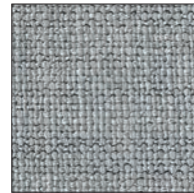


Richard

DESIGNED BY ANTONIO CITTERIO

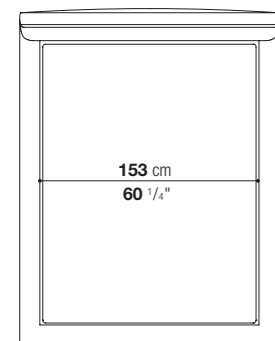
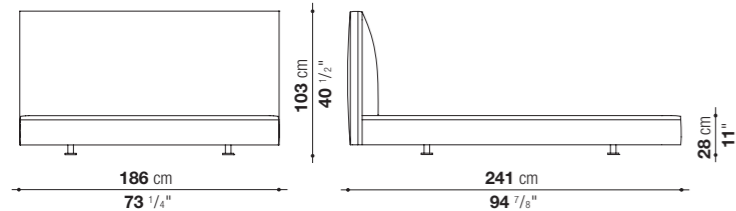
The design of Richard bed is defined by a high bed side running along the perimeter of the bed and the sartorial detail of stitching with the insertion of a raw cut profile. The height of the lateral bed sides allows inserting any type of mattress supports, from metal to wooden slatted base or an "under mattress" with springs, or slatted base with manual mechanism.



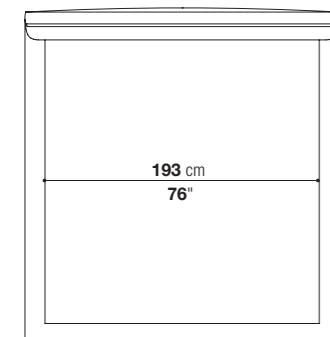
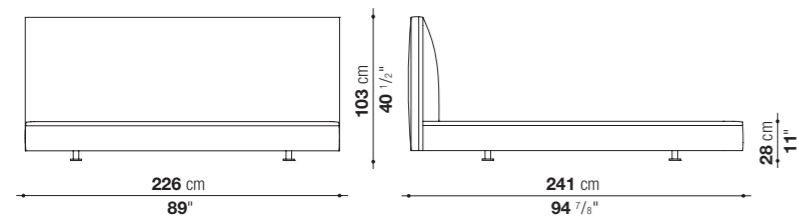
Astro 253



Feet
0150L black painted



LRA153



LRA193

CONTEXT

ENQUIRIES
info@contextgallery.com

Tel. 404. 477. 3301
Tel. 800. 886.0867

contextgallery.com
contextcontract.com

