

Richard

BEDS

2017

Antonio Citterio

CONTEXT

ENQUIRIES
info@contextgallery.com
Tel. 404.477.3301
Tel. 800.886.0867
contextgallery.com



Description

The Richard bed is available in different sizes, upholstered either in fabric or in leather. The design is defined by high sides running along the perimeter and by the sartorial detail of the seams with the insertion of a prominent profile. The height of the lateral bed sides makes it possible to use any type of mattress support, from traditional fixed ones to those with a manual headboard and footboard mechanism.

Technical information

Internal frame

tubular steel and steel profiles

Internal frame upholstery

Bayfit® flexible cold shaped polyurethane foam, polyester fibre

Feet

tubular steel and steel profiles

Ferrules

thermoplastic material

Cover

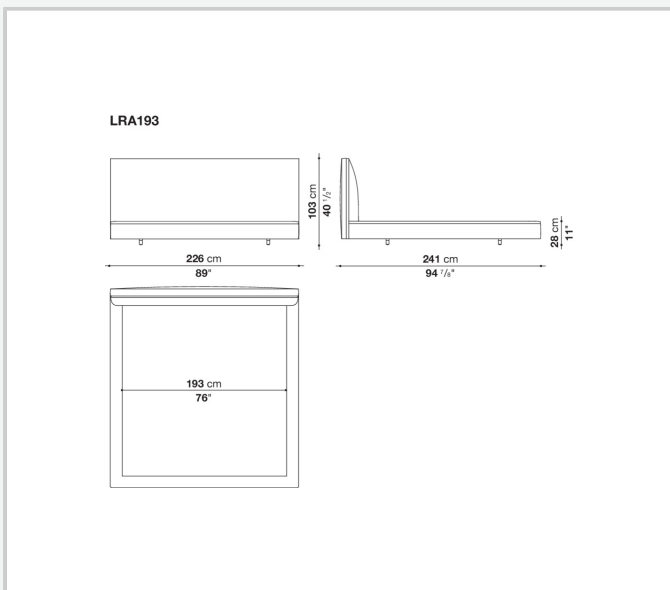
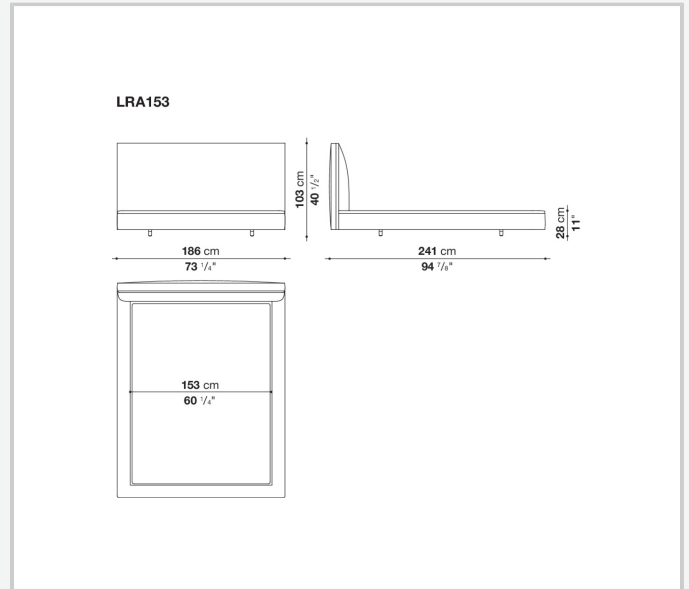
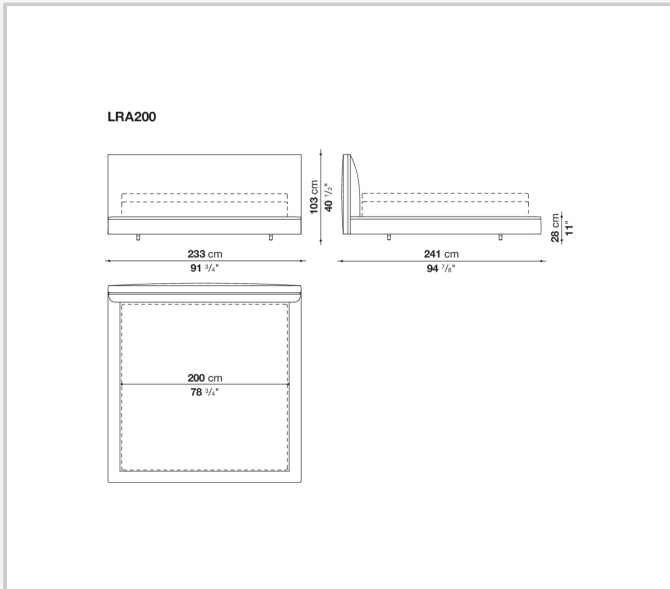
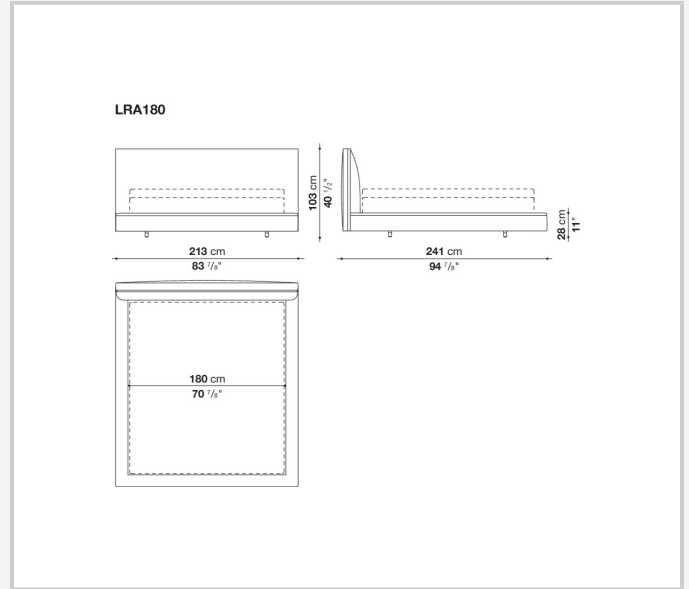
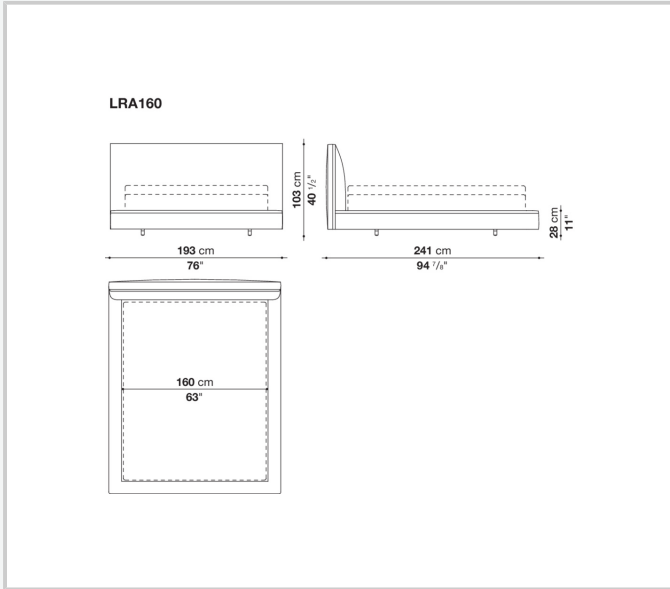
fabric or leather (plastic material profiles)

CONTEXT

ENQUIRIES
info@contextgallery.com

Tel. 404. 477. 3301
Tel. 800. 886.0867

Technical drawings



CONTEXT

ENQUIRIES
info@contextgallery.com
 Tel. 404. 477. 3301
 Tel. 800. 886.0867
contextgallery.com