

Spool Outdoor

SMALL TABLES

2021

Piero Lissoni

CONTEXT

ENQUIRIES
info@contextgallery.com
Tel. 404. 477. 3301
Tel. 800. 886.0867
contextgallery.com



Description

Spool Outdoor, born as indoor product, maintains its recognizable shape and it is now proposed in the stoneware outdoor version, available in different vivid colours.

Technical information

Frame and top

stoneware

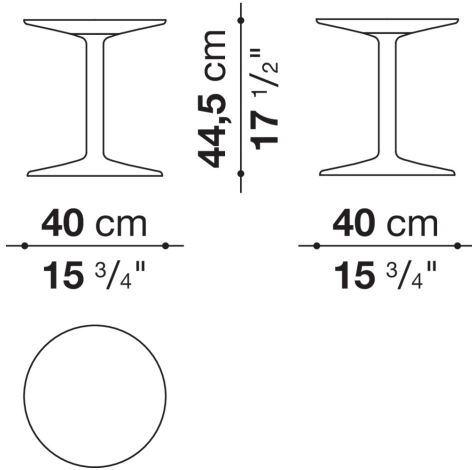
Fixing bracket

stainless steel

Ferrules

plastic material

OS40T



CONTEXT

ENQUIRIES
info@contextgallery.com

Tel. 404. 477. 3301
Tel. 800. 886.0867