

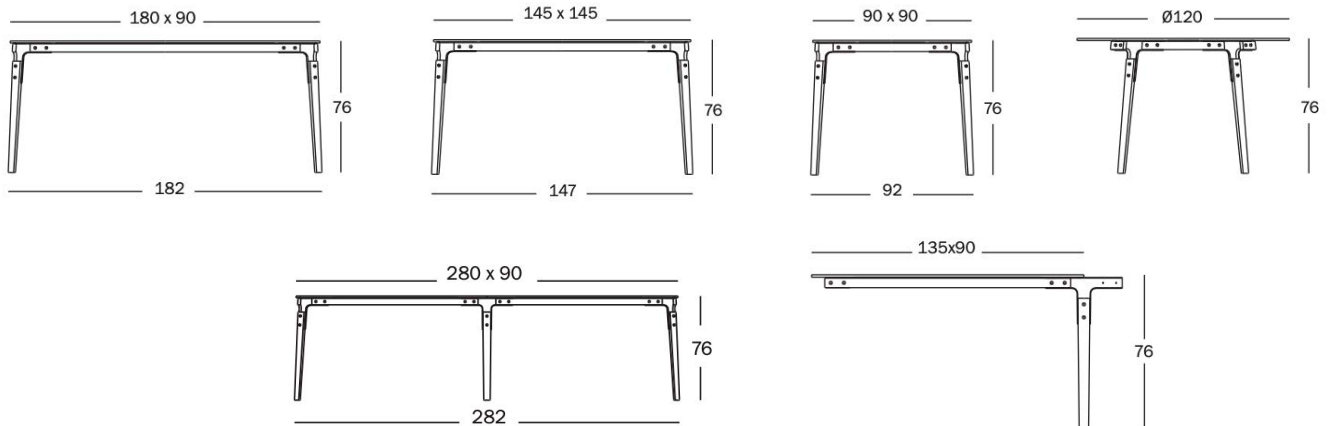
MAGIS

Steelwood- design Ronan & Erwan Bouroullec, 2009

Table.

Material: legs and crosspieces are in solid beech (natural or painted). Joints in steel plate painted in polyester powder. Top in HPL. Table available in different dimensions and as a modular version also.

Note: Dimensions are in metric



CONTEXT

ENQUIRIES
info@contextgallery.com

Tel. 404. 477. 3301
Tel. 800. 886.0867

contextgallery.com