

RH01 STUTTGART

CHAIR

DESIGN: RICHARD HERRE, 1926

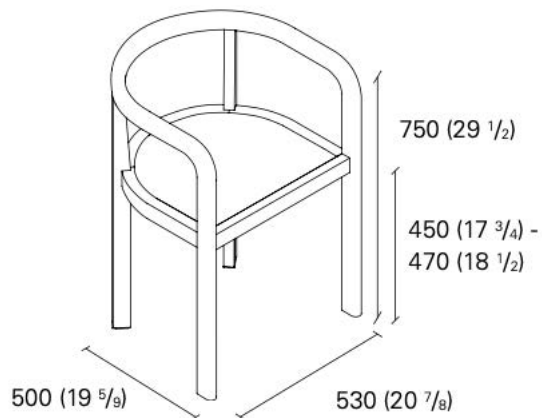


Designed in 1926, Chair Stuttgart illustrates the geometry and rationality inherent in the expressive aesthetic of Richard Herre. Milled from solid wood, the characteristic curved backrest of Stuttgart embodies traditional craftsmanship and timeless elegance. Available in waxed European oak and walnut, the chair is optionally equipped with a removable seat in textile, leather and Vienna weave. As a work of significant modernity and presence, chair Stuttgart can be used as a sophisticated dining, executive or visitor chair.

DIMENSIONS

l x w/d x h

20 7/8" x 19 5/8" x 29 1/2"



CONTEXT

ENQUIRIES
info@contextgallery.com

Tel. 404. 477. 3301
Tel. 800. 886.0867

contextgallery.com