
Technical information

Internal shell:
hard polyurethane

Internal shell upholstery:
Bayfit® (Bayer®) flexible cold shaped polyurethane foam

Support frame:
matt painted tubular steel

External shell:
glossy painted hard polyurethane

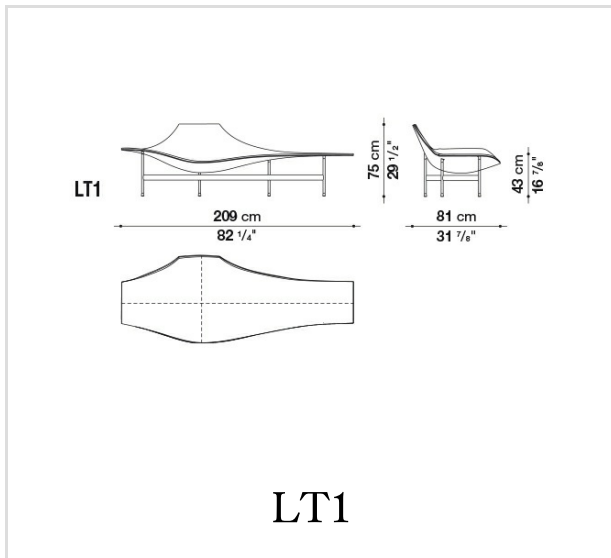
Plain colour:
anthracite, white or chamomile

Ferrules:
thermoplastic material

Cover:
Gamma leather

CONTEXT

Technical drawings



B&B Italia reserves the right to make technological and aesthetic improvements to its models, including changes to the sizes and materials, without notice. The technical drawings do not define the details of the product. The measurements shown are indicative and may undergo changes. In particular, the dimensions relevant to the padded parts are subject to usage tolerances over time caused by the normal adjustment of the padding. For the specific information, please contact the dealer closest to you.

CONTEXT