
Terminal 1

ARMCHAIRS

2008

Jean-Marie Massaud

CONTEXT

ENQUIRIES
info@contextgallery.com
Tel. 404. 477. 3301
Tel. 800. 886.0867
contextgallery.com



Description

With the dual function of armchair and chaise longue, Terminal 1 possesses the essential elements of a floating sculpture. A strong aptitude for experimentation results in fluid shapes, epitomised by an exquisite balance between the seats and the metal support, and a striking contrast between the glossy frame and the matt leather cover, enhancing the sophistication of the piece's monochrome appearance.

Technical information

Internal shell

hard polyurethane

Internal shell upholstery

Bayfit® flexible cold shaped polyurethane foam

Support frame

tubular steel

External shell

hard polyurethane

Ferrules

thermoplastic material

Cover

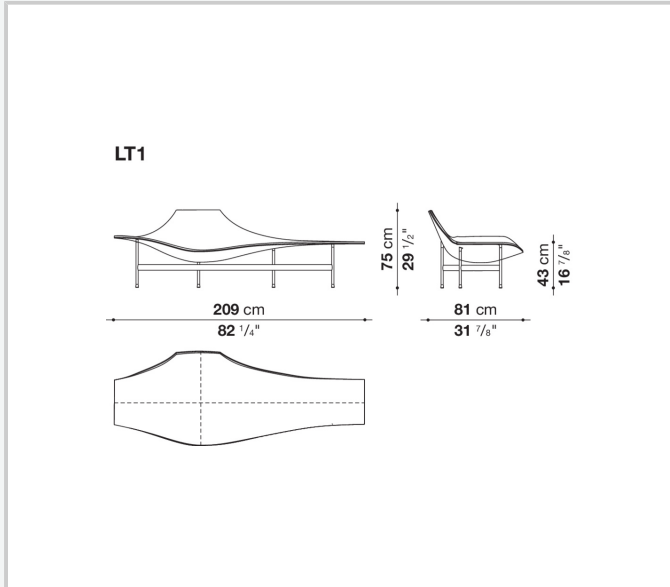
Gamma leather

CONTEXT

ENQUIRIES
info@contextgallery.com

Tel. 404. 477. 3301
Tel. 800. 886.0867

Technical drawings



CONTEXT

ENQUIRIES
info@contextgallery.com

Tel. 404. 477. 3301
Tel. 800. 886.0867