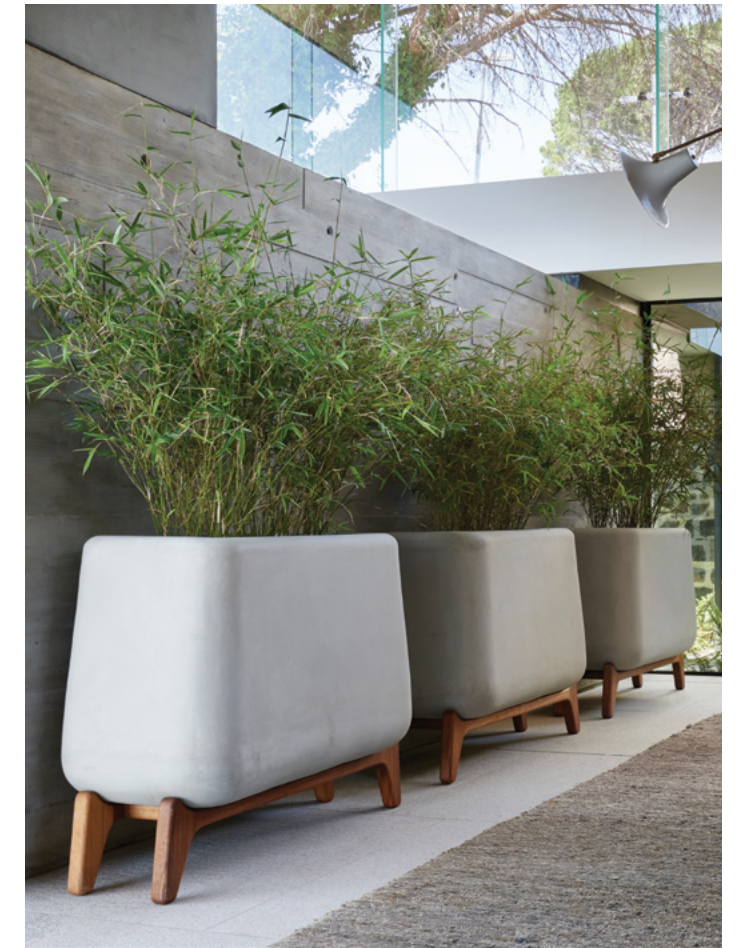


Terra

by Laurie Wiid van Heerden





CONTEXT

ENQUIRIES
info@contextgallery.com

Tel. 404. 477. 3301
Tel. 800. 886.0867

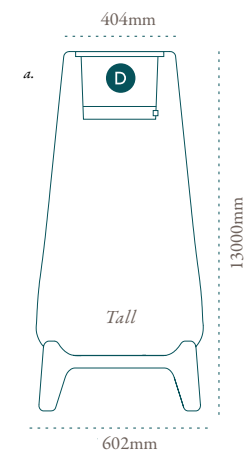
contextgallery.com

Latin for “earth” the Terra brings weight and grounding to planters raised up on stands in the mid-century modern tradition. It is also square adding to the solidity and the wooden bases are contoured and sculpted into the planter making for a stable earthy interpretation that still feels light, modern and elegantly curvaceous.

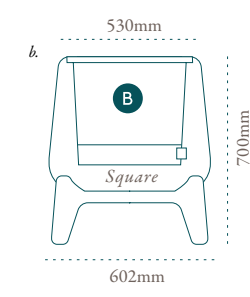




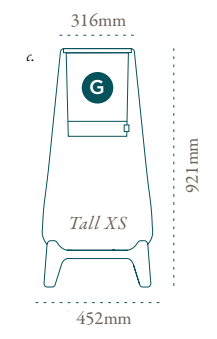
SPECIFICATIONS



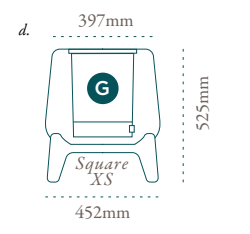
TER13W
stone with wood
weight: 82kg (187lb)
inch: 23.7x15.9x51.2"



TER07W
stone with wood
weight: 70kg (154lb)
inch: 23.7x20.9x27.6"



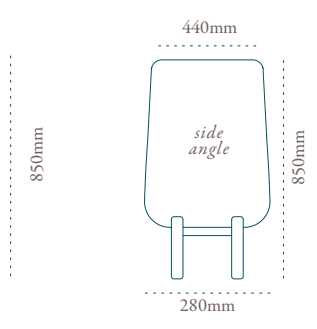
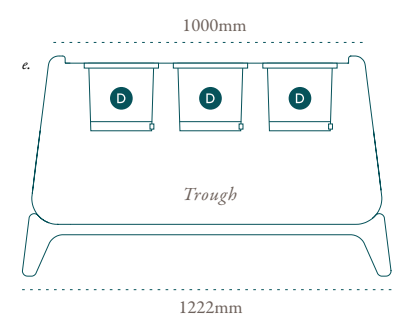
TER09W
stone with wood
weight: 37kg (99lb)
inch: 17.8x12.4x36.3"



TER05W
stone with wood
weight: 32kg (66lb)
inch: 17.8x15.6x20.7"

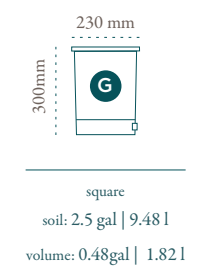
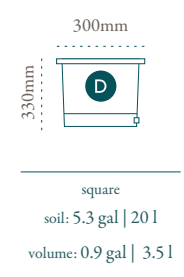
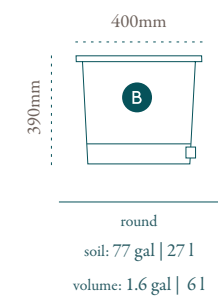


TER08W
stone and wood
weight: 95kg (265lb)
inch: 48.1x17.3x33.5"



CONTEXT

LINERS



ENQUIRIES
info@contextgallery.com
Tel. 404. 477. 3301
Tel. 800. 886.0867
contextgallery.com

Finish Options



Black

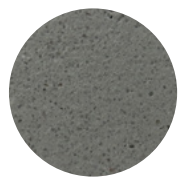
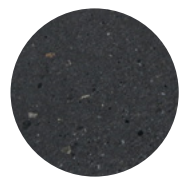
Sandstone

Terracotta

White

Brown

Grey



natural wood



oiled wood

CONTEXT

ENQUIRIES
 info@contextgallery.com
 Tel. 404. 477. 3301
 Tel. 800. 886.0867
 contextgallery.com

Liners

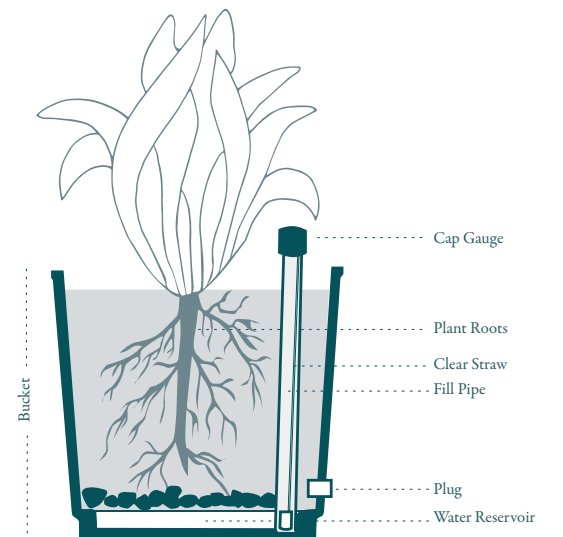


“Self-Watering” Liners

All Indigenous planters come with a liner for planting. The drawings show the sizes and capacities. These liners have been designed to house plants in proportion to the size of the planters. They contain a water reservoir at the base into which the roots grow. Using the process of “capillary action” the water is pushed up into the soil.

Water levels in the reservoir can be measured using the cap gauge and the liner has a plug which must be removed if the planter is exposed rainfall.

The liners usually need 14 weeks to integrate with the root system during which watering should be done the normal way onto the soil. Thereafter in typical conditions the reservoir only needs filling once or twice a month



Always use the planter in conjunction with the liner and remove the plug at the base of the liner and the base of the planter if the planters are going to receive rainfall.

