

Tobi-Ishi

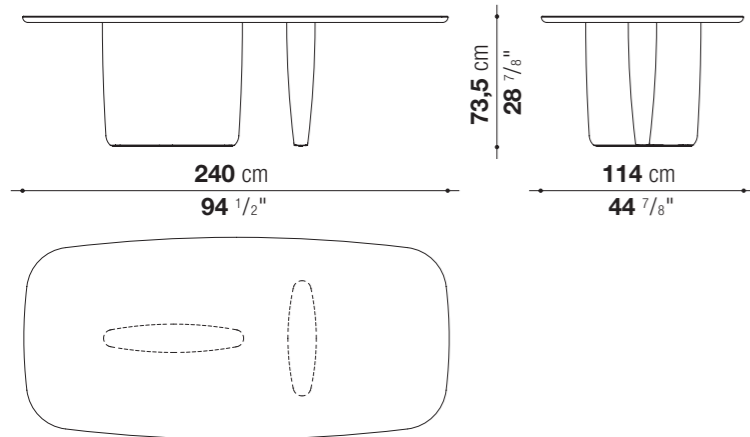
DESIGNED BY BARBER AND OSGERBY

Edward Barber & Jay Osgerby first project for B&B Italia was Tobi-Ishi, a round dining table clearly inspired by Zen. The design duo are great enthusiasts of Japanese art and culture and the name and concept for this table came from the smooth stones (tobi-ishi) used as ornaments in traditional Japanese Zen gardens. The overhang of the table and the vertical trapezoidal bases set at right angles generate an essential sculptural figure that appears to change shape depending on the point of observation.



9118E
satin chalk white

T240R



CONTEXT

ENQUIRIES
info@contextgallery.com

Tel. 404. 477. 3301
Tel. 800. 886.0867

contextgallery.com
contextcontract.com

