
Tobi-Ishi

TABLES

2012

Edward Barber & Jay Osgerby

CONTEXT

ENQUIRIES
info@contextgallery.com
Tel. 404. 477. 3301
Tel. 800. 886.0867
contextgallery.com



Description

Available both round and rectangular with rounded ends, Tobi-Ishi is a sculptural table that makes reference, stylistically and in its very name, to the ornamental stones used in traditional Japanese gardens. This iconic table brings together functional features with a statuesque appearance, with truly amazing results. The overhanging top and bases look different depending on the viewpoint, while the various finishes endow the table with highly personal interpretations: from cement grout to marble or wood, and from matt lacquering in a wide range of colours to glossy lacquering also in sophisticated candy red and smoke blue hues. With its sculptural line Tobi-Ishi becomes the protagonist of the space.

Technical information

Top (T160-T240R)

MDF wood fibre panel

Legs (T160-T240R)

high density polyurethane resin (Baydur®)

Counterweight (T160-T240R)

cast iron

Top (T160L-T240RL-T313RL)

veneered wood particles panel with solid wood parts

Legs (T160L-T240RL-T313RL)

solid wood

Counterweight (T160L-T240RL-T313RL)

steel

Top and legs (T160M)

marble (matt polyester finish or glossy polyester finish)

Coupling plate (T160M)

stainless steel

Adjustable ferrules

plastic material

Ferrules (T160M)

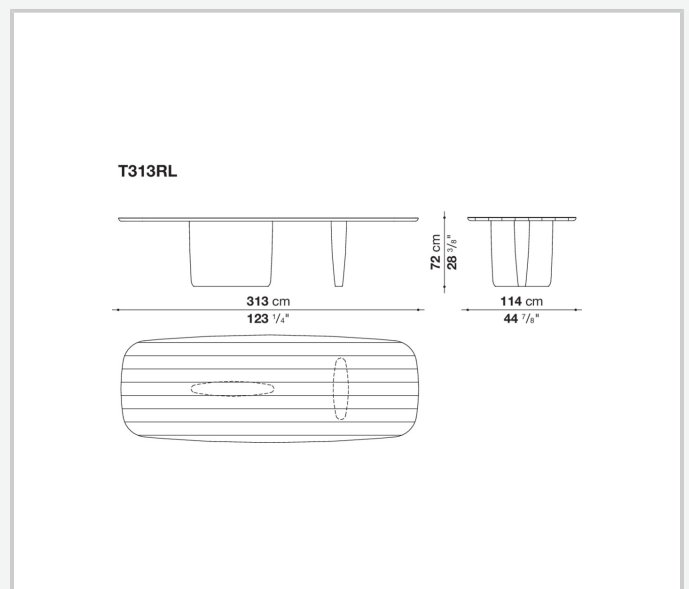
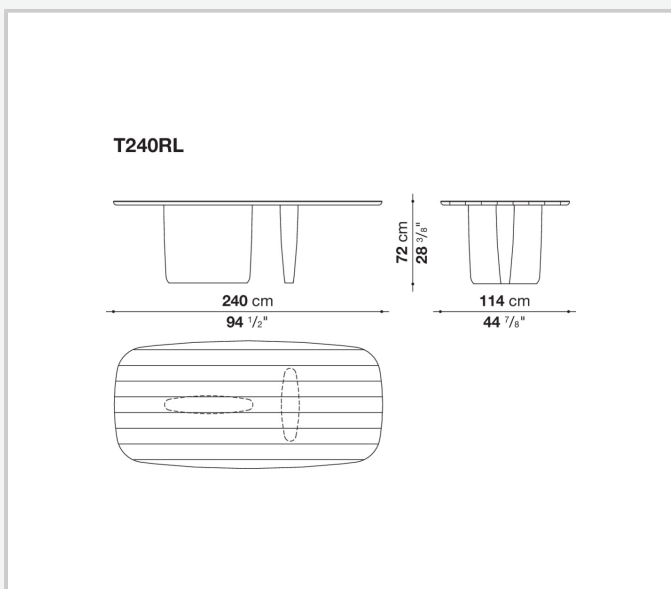
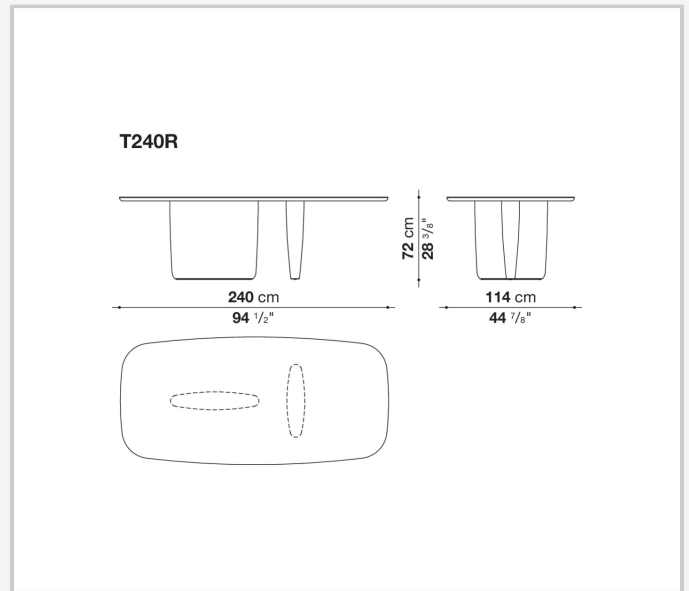
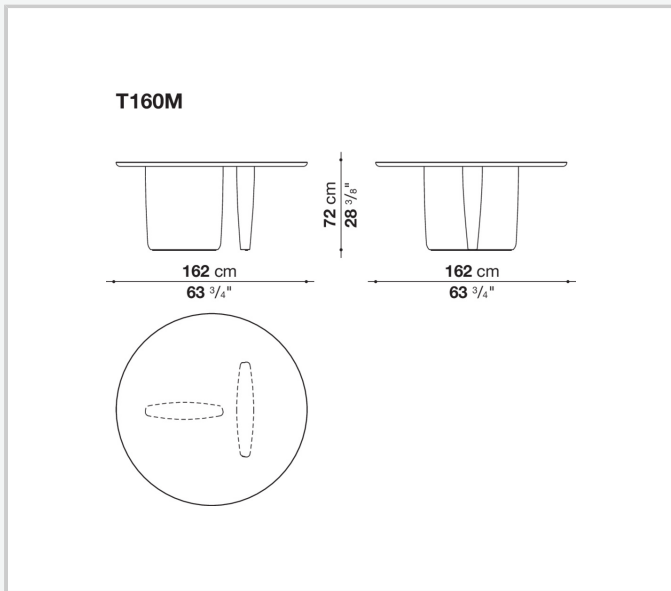
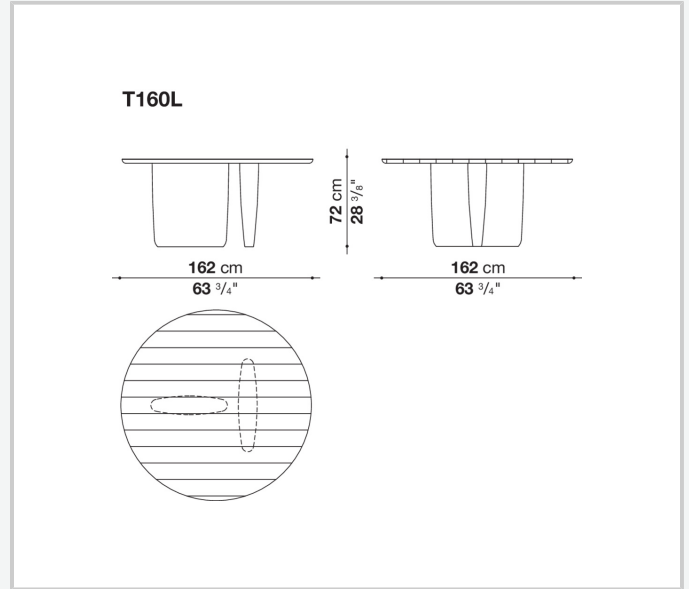
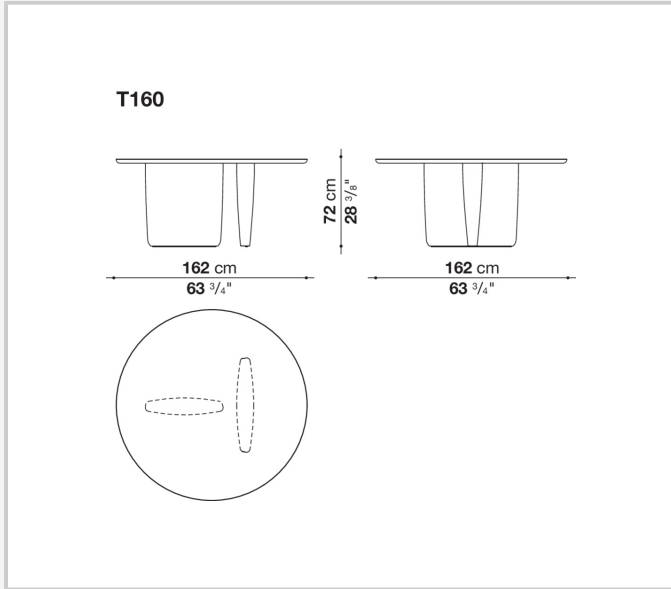
felt

CONTEXT

ENQUIRIES
info@contextgallery.com

Tel. 404. 477. 3301
Tel. 800. 886.0867

Technical drawings



CONTEXT

CONTEXT

ENQUIRIES
info@contextgallery.com

Tel. 404. 477. 3301
Tel. 800. 886.0867