

Tramae

OTTOMAN

2020

Studio Unpizzo

CONTEXT

ENQUIRIES
info@contextgallery.com
Tel. 404. 477. 3301
Tel. 800. 886.0867
contextgallery.com



Description

Available in three dimensions, Tramae is an ottoman with a hexagonal shape, which is rounded until the edges are no longer visible. The surface shows a singular dynamic mix of materials and colours that come to life through an exclusive weave that reinterprets the tradition of wicker basket making in a contemporary key.

Technical information

Frame

polyethylene

Upholstery

shaped polyurethane, cover in water repellent polyester fibre

Interlacing

polypropylene fibre braid

Cover

fabric in limited categories

Waterproof cover cloth PES

fabric coated on one side in PU

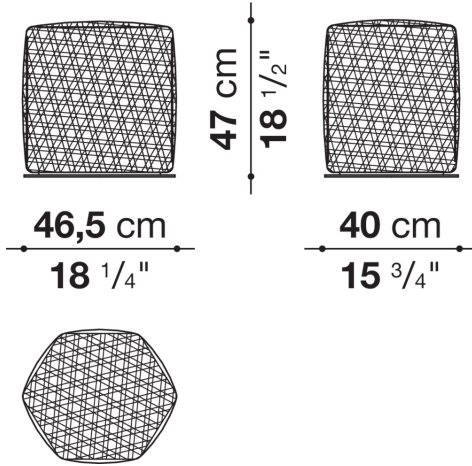
CONTEXT

ENQUIRIES
info@contextgallery.com

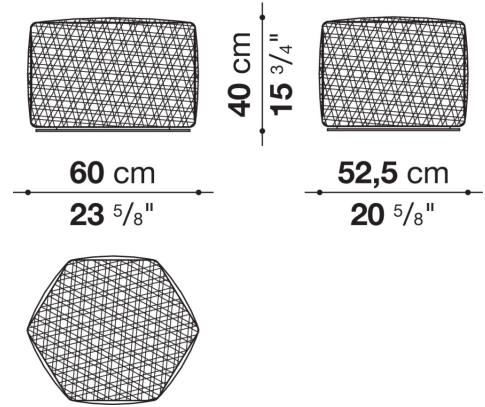
Tel. 404. 477. 3301
Tel. 800. 886.0867

Technical drawings

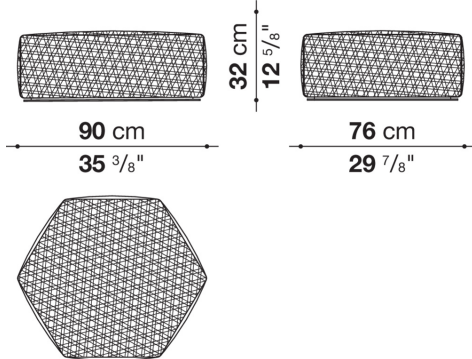
TRM47P



TRM60P



TRM90P



CONTEXT

ENQUIRIES
info@contextgallery.com

Tel. 404. 477. 3301
Tel. 800. 886.0867