

Tulip

ARMCHAIRS

2000

Jeffrey Bernett

CONTEXT

ENQUIRIES
info@contextgallery.com
Tel. 404. 477.3301
Tel. 800. 886.0867
contextgallery.com



Description

Tulip is a 360-degree swivel armchair with remarkably flexible use, whose highlight is the well-balanced proportion between its thickness and the intersections of straight lines and curves. The polished brushed aluminium supporting disc reflects part of the frame, thus emphasising the item's roundness. Two cuts carved into the backrest and a soft seat cushion make the chair cosy and comfortable.

Technical information

Internal frame

tubular steel and steel profiles

Internal frame upholstery

Bayfit® flexible cold shaped polyurethane foam, polyester fibre cover

Seat cushion upholstery

shaped polyurethane of different density, polyester fibre cover

Swivel base-frame

aluminium sheet and extrusions

Ferrules

thermoplastic material

Cover

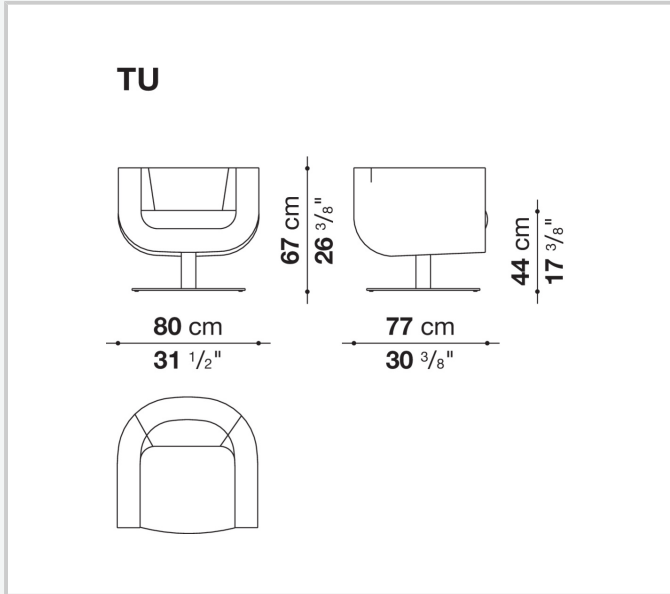
fabric or leather

CONTEXT

ENQUIRIES
info@contextgallery.com

Tel. 404. 477. 3301
Tel. 800. 886.0867

Technical drawings



CONTEXT

ENQUIRIES
info@contextgallery.com

Tel. 404. 477. 3301
Tel. 800. 886.0867