

---

# Tobi-Ishi

TABLES

*Edward Barber and Jay Osgerby*



## Description

The name refers to the ornamental stones in Japanese gardens, which have inspired the components of Tobi-Ishi. It converges both functional features and a statuesque appearance with amazing results. The overhanging top and bases look different depending on the viewpoint, while the various finishes endow the table with highly personal interpretations: from cement to marble and lacquer in the sophisticated hues of red candy and blue smoke. Originally round in shape, it is now presented in larger version with a rectangular top tapered at the ends, the range of finishes is also expanded with 16 satin lacquered finishes, for both the round and the new rectangular version, joining the two glossy lacquered finishes Candy Red and Smoke Blue and the original cement finish.

---

## Technical information

### Top:

MDF wood fibre panel

### Legs:

high density polyurethane resin (Baydur®)

### Finish:

black-coloured cement grout, satin painted, candy red or smoke blue glossy painted

### Adjustable ferrules:

plastic material

### Counterweight:

cast iron

### Top and legs (T160M):

Carrara white marble "venatino statuarietto" (matt polyester finish) or Marquinia black marble (glossy polyester finish)

### Coupling plate (T160M):

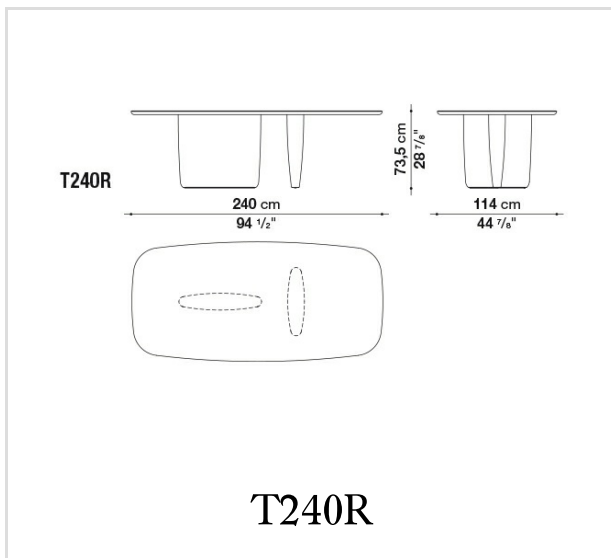
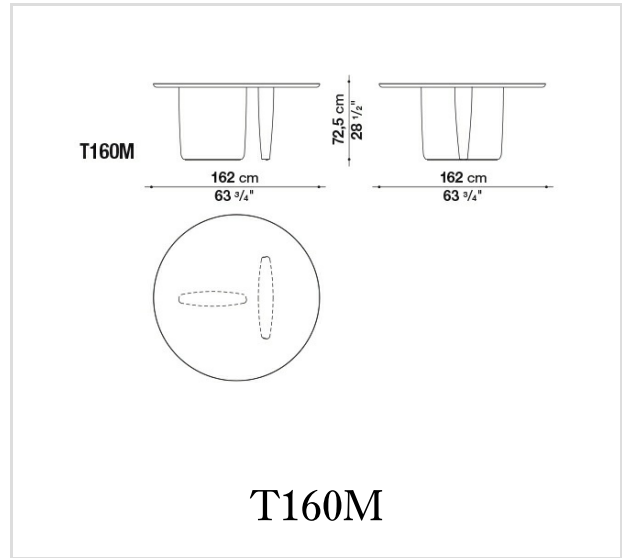
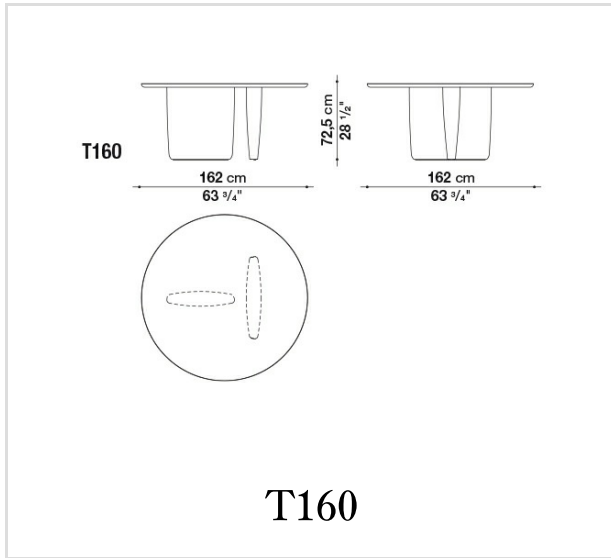
satin stainless steel

### Ferrules (T160M):

felt

---

# Technical drawings



B&B Italia reserves the right to make technological and aesthetic improvements to its models, including changes to the sizes and materials, without notice. The technical drawings do not define the details of the product. The measurements shown are indicative and may undergo changes. In particular, the dimensions relevant to the padded parts are subject to usage tolerances over time caused by the normal adjustment of the padding. For the specific information, please contact the dealer closest to you.