

Vol Au Vent

CHAIRS

2001

Mario Bellini

CONTEXT

ENQUIRIES
info@contextgallery.com
Tel. 404. 477. 3301
Tel. 800. 886. 0867
contextgallery.com



Description

The Vol Au Vent chair, with its single-material leather or fabric upholstery, can be combined with the most diverse tables, whether modern or classic. Its lines are poised between tradition and contemporaneity, and its volumes between thickness and slenderness. The removable cover is padded with a single polyurethane mould available in two sizes.

The Vol Au Vent larger can be fitted with armrests.

Technical information

Internal frame

tubular steel and steel profiles

Internal frame upholstery

Bayfit® flexible cold shaped polyurethane foam, polyester fibre cover

Ferrules

thermoplastic material

Cover

fabric or leather

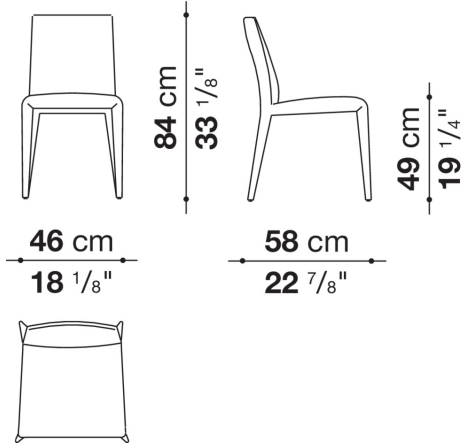
CONTEXT

ENQUIRIES
info@contextgallery.com

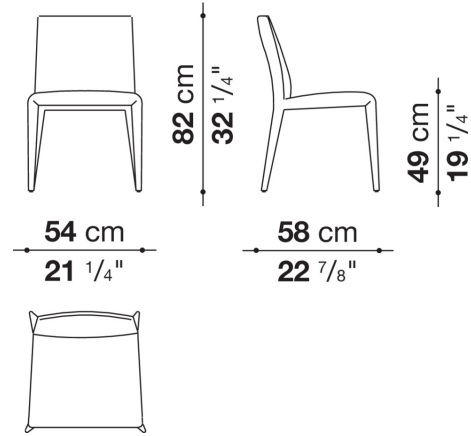
Tel. 404. 477. 3301
Tel. 800. 886.0867

Technical drawings

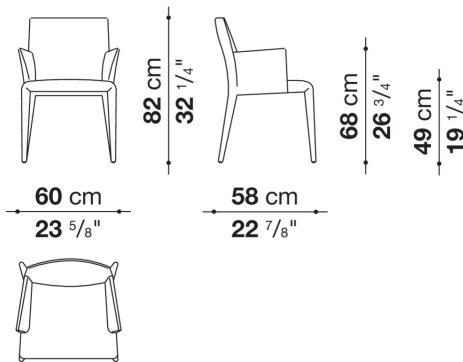
SV



SVL



SVB



CONTEXT

ENQUIRIES
info@contextgallery.com

Tel. 404. 477. 3301
Tel. 800. 886. 0867